



McKINLEY OUTREACH COMMUNITY CENTER

1200 Lost Nation Road, Willoughby, OH 44094

PROJECT AERIAL VIEW



DRAWING INDEX

A-000	COVERSHEET
A-100	ROOF PLAN
A-200	ROOF NOTES
A-201	ROOF NOTES
A-202	ROOF NOTES
A-300	ROOF CORES
A-500	ROOF DETAILS
A-501	ROOF DETAILS
A-502	ROOF DETAILS

McKINLEY OUTREACH COMMUNITY CENTER

1200 Lost Nation Road
Willoughby, OH 44094

SCALE: AS NOTED

DATE: 05/09/2022

PROJ. #:

DRAWN BY:

COVER SHEET

A-000

GENERAL NOTES:

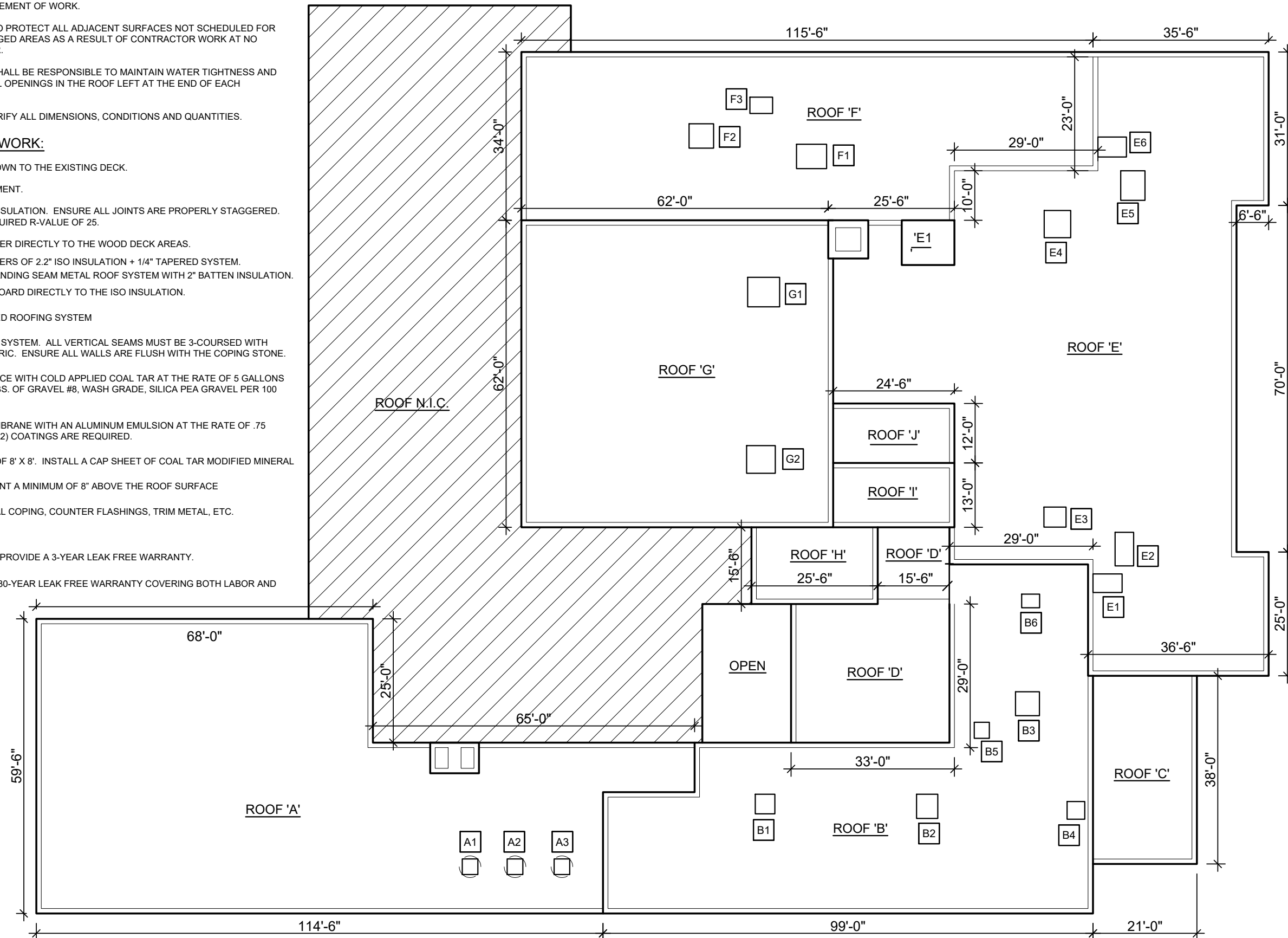
- 1.) IT IS THE ROOFING CONTRACTOR'S RESPONSIBILITY TO FAMILIARIZE THEMSELVES WITH ALL DETAILS INVOLVED IN THE ROOFING CONTRACT.
- 2.) ALL DRAWINGS ARE GRAPHIC REPRESENTATION OF APPROXIMATE LOCATIONS OF EXISTING AND NEW MATERIALS. IT IS THE CONTRACTOR'S RESPONSIBILITY TO VERIFY ALL EXISTING CONDITIONS PRIOR TO COMMENCEMENT OF WORK.
- 3.) THE ROOFING CONTRACTOR TO PROTECT ALL ADJACENT SURFACES NOT SCHEDULED FOR WORK AND TO REPAIR ANY DAMAGED AREAS AS A RESULT OF CONTRACTOR WORK AT NO ADDITIONAL COST TO THE OWNER.
- 4.) THE ROOFING CONTRACTOR SHALL BE RESPONSIBLE TO MAINTAIN WATER TIGHTNESS AND PROVIDE PROTECTION AT ANY/ALL OPENINGS IN THE ROOF LEFT AT THE END OF EACH CONSTRUCTION DAY.
- 5.) CONTRACTOR SHALL FIELD VERIFY ALL DIMENSIONS, CONDITIONS AND QUANTITIES.

ROOF PLAN SCOPE OF WORK:

1. TEAR OFF THE ENTIRE ROOF DOWN TO THE EXISTING DECK.
2. REMOVE ALL OBSOLETE EQUIPMENT.
3. INSTALL 2 LAYERS OF 2.2" ISO INSULATION. ENSURE ALL JOINTS ARE PROPERLY STAGGERED. THIS WILL MEET THE CODE REQUIRED R-VALUE OF 25.
 - INSTALL A RED ROSIN PAPER DIRECTLY TO THE WOOD DECK AREAS.
 - SECTION C: INSTALL 2 LAYERS OF 2.2" ISO INSULATION + 1/4" TAPERED SYSTEM.
 - SECTION J: INSTALL A STANDING SEAM METAL ROOF SYSTEM WITH 2" BATTEN INSULATION.
4. INSTALL A 1/2" HD WOOD FIBER BOARD DIRECTLY TO THE ISO INSULATION.
5. ADHERE TWO PLYS OF MODIFIED ROOFING SYSTEM
6. INSTALL A 2-PLY NEWMODIFIED SYSTEM. ALL VERTICAL SEAMS MUST BE 3-COURSED WITH SILVER ROOF CEMENT AND FABRIC. ENSURE ALL WALLS ARE FLUSH WITH THE COPING STONE.
7. FLOOD COAT THE ROOF SURFACE WITH COLD APPLIED COAL TAR AT THE RATE OF 5 GALLONS AND IMMEDIATELY IMBED 450 LBS. OF GRAVEL #8, WASH GRADE, SILICA PEA GRAVEL PER 100 SQUARE FEET.
8. COAT ALL EXPOSED ROOF MEMBRANE WITH AN ALUMINUM EMULSION AT THE RATE OF .75 GALLONS PER 100 SQ. FT. TWO (2) COATINGS ARE REQUIRED.
9. SUMP ALL DRAINS A MINIMUM OF 8" X 8". INSTALL A CAP SHEET OF COAL TAR MODIFIED MINERAL MEMBRANE
10. RAISE ALL PIPES AND EQUIPMENT A MINIMUM OF 8" ABOVE THE ROOF SURFACE
11. INSTALL NEW 22-GAUGE METAL COPING, COUNTER FLASHINGS, TRIM METAL, ETC. THROUGHOUT.
 - THE CONTRACTOR SHALL PROVIDE A 3-YEAR LEAK FREE WARRANTY.
 - GARLAND SHALL ISSUE A 30-YEAR LEAK FREE WARRANTY COVERING BOTH LABOR AND MATERIAL.

ASBESTOS CONTAINING MATERIALS:

- 1.) HANDLE AND DISPOSE ALL ASBESTOS CONTAINING MATERIALS (see attached asbestos survey for known hazardous material locations) PER OSHA AND OHIO EPA GUIDELINES.
- 2.) PROJECT CLOSE OUT DOCUMENTS: PROVIDE A CERTIFICATE THAT ALL ASBESTOS CONTAINING MATERIALS HAVE BEEN PROPERLY DISPOSED.



**McKINLEY
OUTREACH
COMMUNITY
CENTER**

1200 Lost Nation Road
Willoughby, OH 44094

SCALE: AS NOTED
DATE: 05/10/2022
PROJ. #:
DRAWN BY:

ROOF PLAN

A-100

ROOF SECTION	CORE INFO	NEW METAL EDGE SYSTEM	NEW INSULATION SYSTEM	NOTES
SECTION A	TAPERED CONCRETE + ROOFING PLIES + FLOOD AND GRAVEL	COPING THROUGHOUT	2 LAYERS OF 2.2" + 1/2 HD WOOD FIBERBOARD	HOT APPLIED SYSTEM.
SECTION B	TAPERED WOOD DECK + ROOFING PLIES + FLOOD AND GRAVEL	COPING THROUGHOUT	2 LAYERS OF 2.2" + 1/2 HD WOOD FIBERBOARD	HOT APPLIED SYSTEM.
SECTION C	FLAT METAL DECK + PERLITE + BUR	METAL EDGE THROUGHOUT	2 LAYERS OF 2.2" + 1/8" TAPERED	COLD APPLIED SYSTEM.
SECTION D	TAPERED METAL DECK + PERLITE + BUR & GRAVEL	METAL EDGE THROUGHOUT	2 LAYERS OF 2.2" + 1/2 HD WOOD FIBERBOARD	INSTALL NEW PIPE STANDS UNDER THE PVC PIPE. THIS IS A COLD APPLIED SYSTEM.
SECTION E	TAPERED WOOD DECK + ROOFING PLIES + FLOOD AND GRAVEL	MOSTLY METAL EDGE WITH 2 AREAS OF COPING.	2 LAYERS OF 2.2" + 1/2 HD WOOD FIBERBOARD	HOT APPLIED SYSTEM.
SECTION E1	FRAME OUT WITH WOOD AND/OR PLYWOOD & GYPSUM BOARD	1/2" GYPSUM BOARD	N/A	COLD APPLIED SYSTEM.
SECTION F	TAPERED WOOD DECK + ROOFING PLIES + FLOOD AND GRAVEL	METAL EDGE THROUGHOUT	2 LAYERS OF 2.2" + 1/2 HD WOOD FIBERBOARD	COLD APPLIED SYSTEM.
SECTION G	TAPERED WOOD DECK + ROOFING PLIES + FLOOD AND GRAVEL	COPING THROUGHOUT	2 LAYERS OF 2.2" + 1/2 HD WOOD FIBERBOARD	COLD APPLIED SYSTEM.
SECTION H	TAPERED WOOD DECK + ROOFING PLIES + FLOOD AND GRAVEL	2 LAYERS OF 2.2" + 1/2 HD WOOD FIBERBOARD	CAN THE VENTS BE REMOVED?	COLD APPLIED SYSTEM.
SECTION I	TAPERED METAL DECK + PERLITE + BUR	METAL EDGE WITH GUTTER	2 LAYERS OF 2.2" + 1/2 HD WOOD FIBERBOARD	COLD APPLIED SYSTEM.
SECTION J	EXISTING STANDING SEAM	COPING	2" BATTEN INSULTION	NEW STANDING SEAM METAL ROOF



ROOF SECTION 'A'

- RAISE THE 3 UNITS; A1 THROUGH A3.



ROOF SECTION 'B'

- B1, B2, B3 REMOVE THE 3 GREEN LOUVERED VENTS
- B4 - LINE WITH PLYWOOD AND INSTALL NEW FLASHINGS. PRIOR TO INSTALLING THE PLYWOOD FILL THE LOUVERS WITH FIBERGLASS INSULATION TO BLOCK ALL AIR FLOW.
- B5 & B6 - RAISE THE UNITS



ROOF SECTION 'B'

**McKINLEY
OUTREACH
COMMUNITY
CENTER**

1200 Lost Nation Road
Willoughby, OH 44094

SCALE: AS NOTED

DATE: 05/10/2022

PROJ. #:

DRAWN BY:

ROOF NOTES



ROOF SECTION 'E'

- REMOVE 6 ABANDON CHIMNEY STRUCTURES. E1 THROUGH E6.



ROOF SECTION 'E'

- REMOVE 6 ABANDON CHIMNEY STRUCTURES. E1 THROUGH E6..



ROOF SECTION 'E'

- E7 RAISE THIS VENT



ROOF SECTION 'E'

- 2 SECTIONS OF METAL COPING.



ROOF SECTION 'F'

- REMOVE F1, F2 AND CHIMNEY F3. RAISE THE ONE VENT F4



ROOF SECTION 'G'

- REEMOVE G1 & G2

**McKINLEY
OUTREACH
COMMUNITY
CENTER**

1200 Lost Nation Road
Willoughby, OH 44094

SCALE: AS NOTED

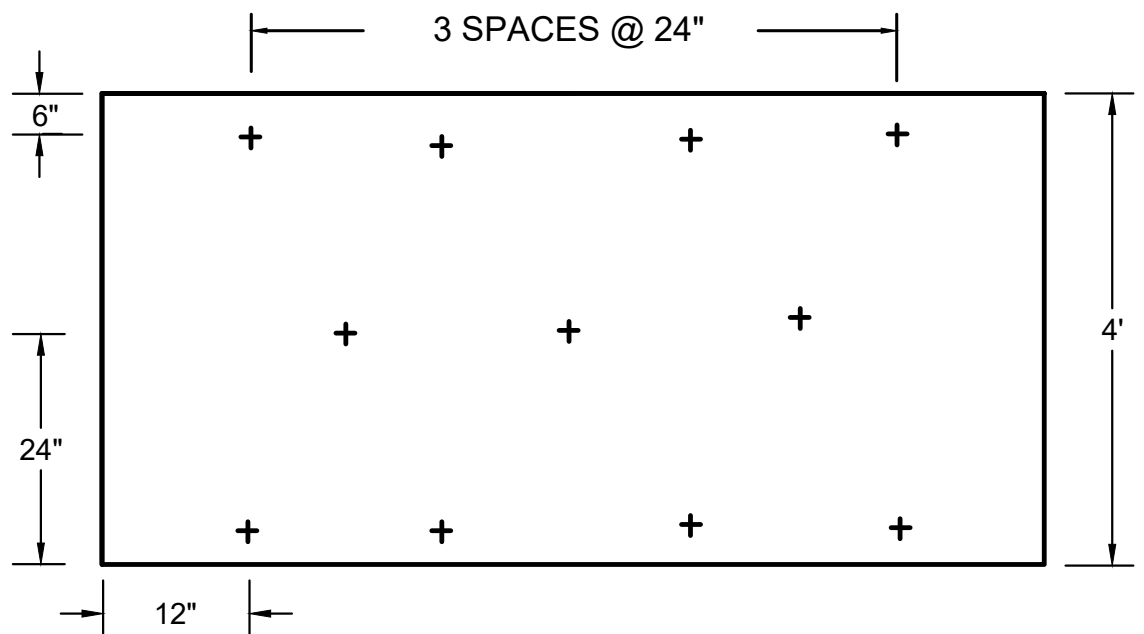
DATE: 05/10/2022

PROJ. #:

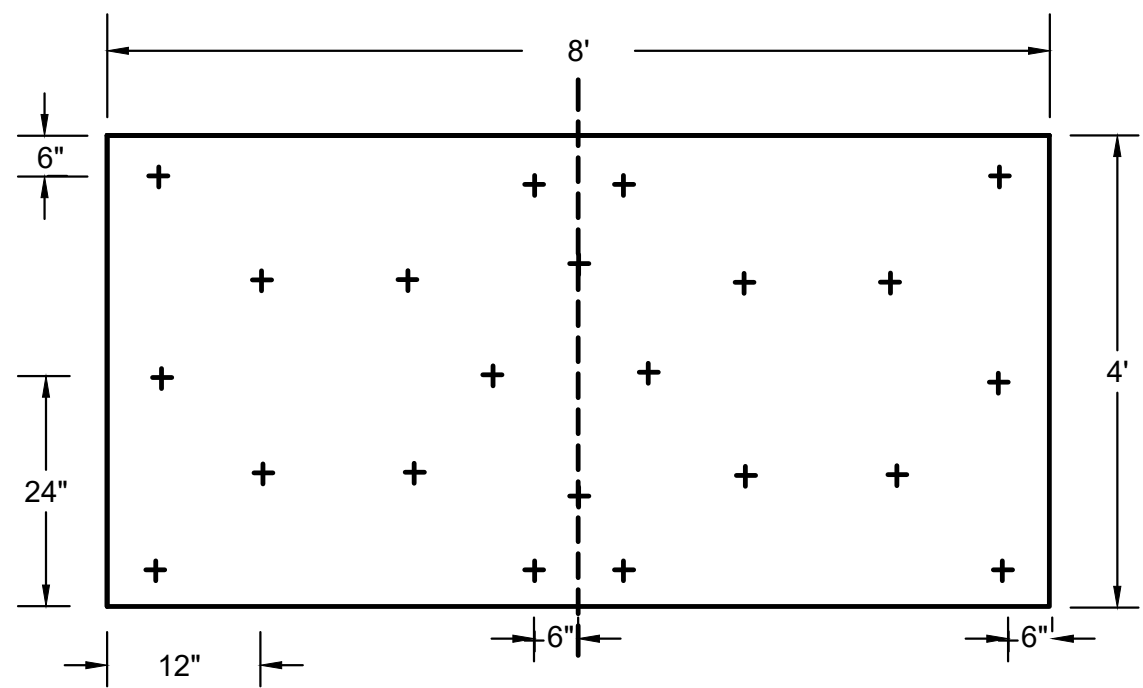
DRAWN BY:

ROOF NOTES

ZONE 1 INSULATION BOARD FASTENER PATTERN: 11 FASTENERS PER BOARD

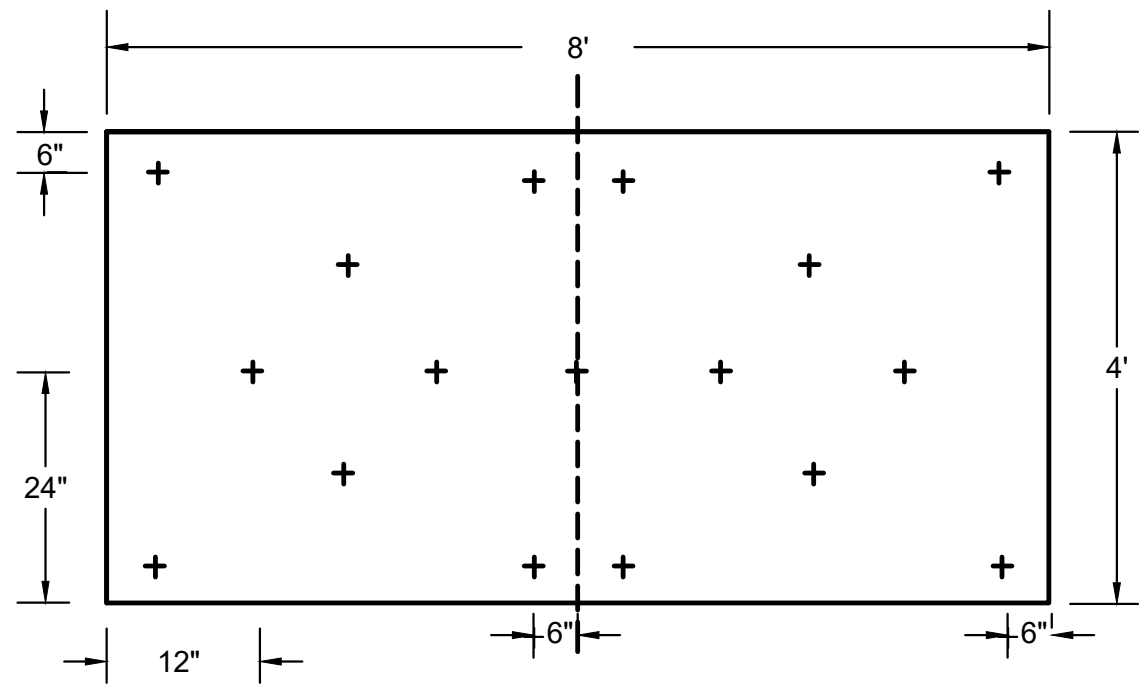


ZONE 3 INSULATION BOARD FASTENER PATTERN: 22 FASTENERS PER BOARD



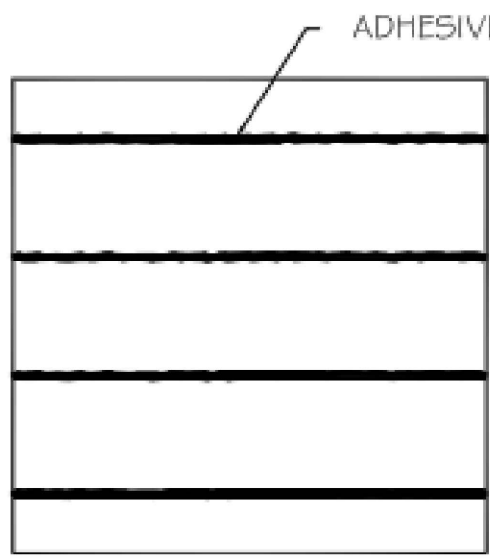
4 X 8 BOARD PATTERN

ZONE 2 INSULATION BOARD FASTENER PATTERN: 17 FASTENERS PER BOARD



INSULATION FASTENING INSTRUCTIONS

ZONES 1, 2 & 3 INSULATION BOARD ADHESIVE PATTERN: 12" OC BEADS PER BOARD



4 ADHESIVE RIBBONS
EQUALLY SPACED AT
12" (30.5cm) O.C. (TYP.)

**McKINLEY
OUTREACH
COMMUNITY
CENTER**

1200 Lost Nation Road
Willoughby, OH 44094

SCALE: AS NOTED
DATE: 05/10/2022
PROJ. #:
DRAWN BY:

ROOF NOTES



1 CORE CUT ROOF 'A'
 A-300 SCALE: N.T.S.

2 CORE CUT ROOF 'B'
 A-300 SCALE: N.T.S.

3 CORE CUT ROOF 'B1'
 A-300 SCALE: N.T.S.

4 CORE CUT ROOF 'C'
 A-300 SCALE: N.T.S.



NEEDS CORE IMAGE

5 CORE CUT ROOF 'C1'
 A-300 SCALE: N.T.S.

6 CORE CUT ROOF 'D'
 A-300 SCALE: N.T.S.

7 CORE CUT ROOF 'E'
 A-300 SCALE: N.T.S.

8 CORE CUT ROOF 'F'
 A-300 SCALE: N.T.S.



9 CORE CUT ROOF 'G'
 A-300 SCALE: N.T.S.

10 CORE CUT ROOF 'H'
 A-300 SCALE: N.T.S.

11 CORE CUT ROOF 'H1'
 A-300 SCALE: N.T.S.

12 CORE CUT ROOF 'I'
 A-300 SCALE: N.T.S.

**McKINLEY
 OUTREACH
 COMMUNITY
 CENTER**

1200 Lost Nation Road
 Willoughby, OH 44094

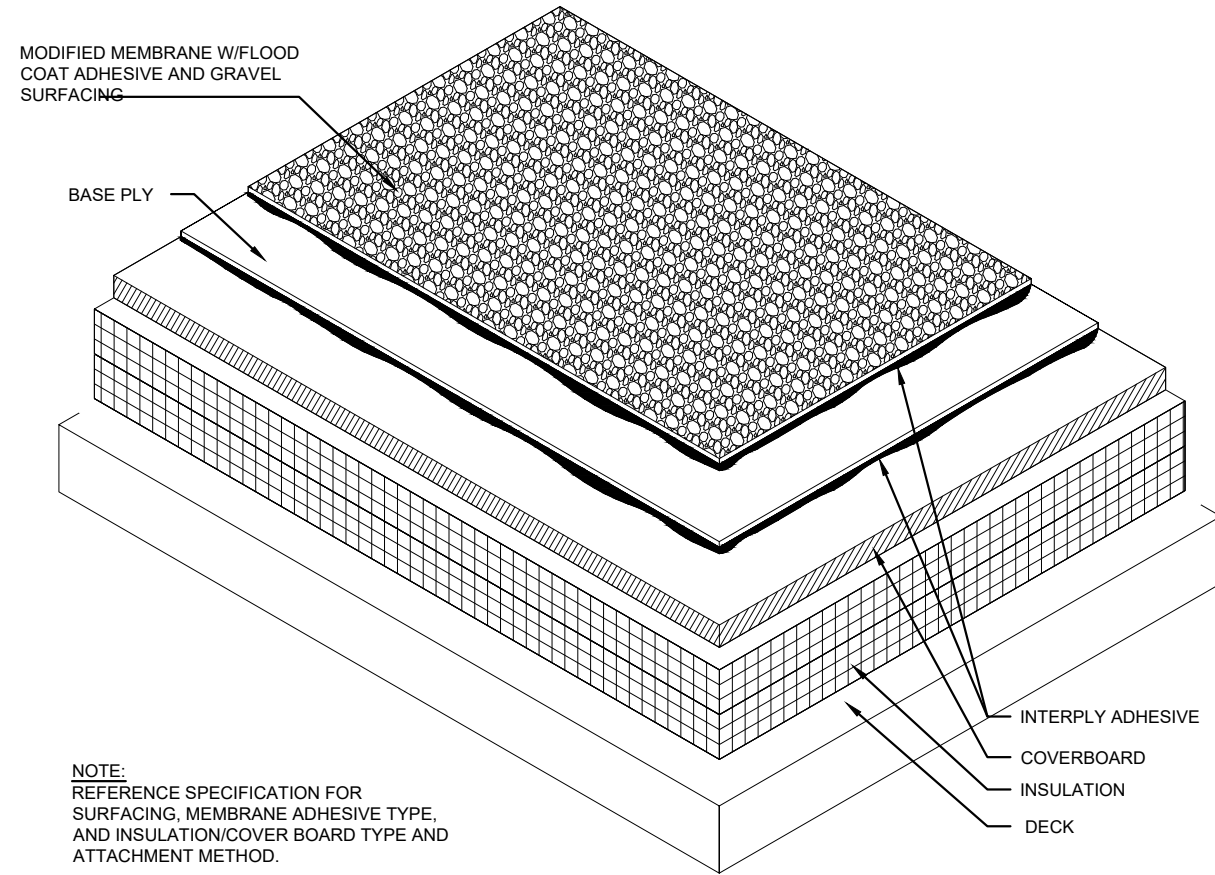
SCALE: AS NOTED

DATE: 05/10/2022

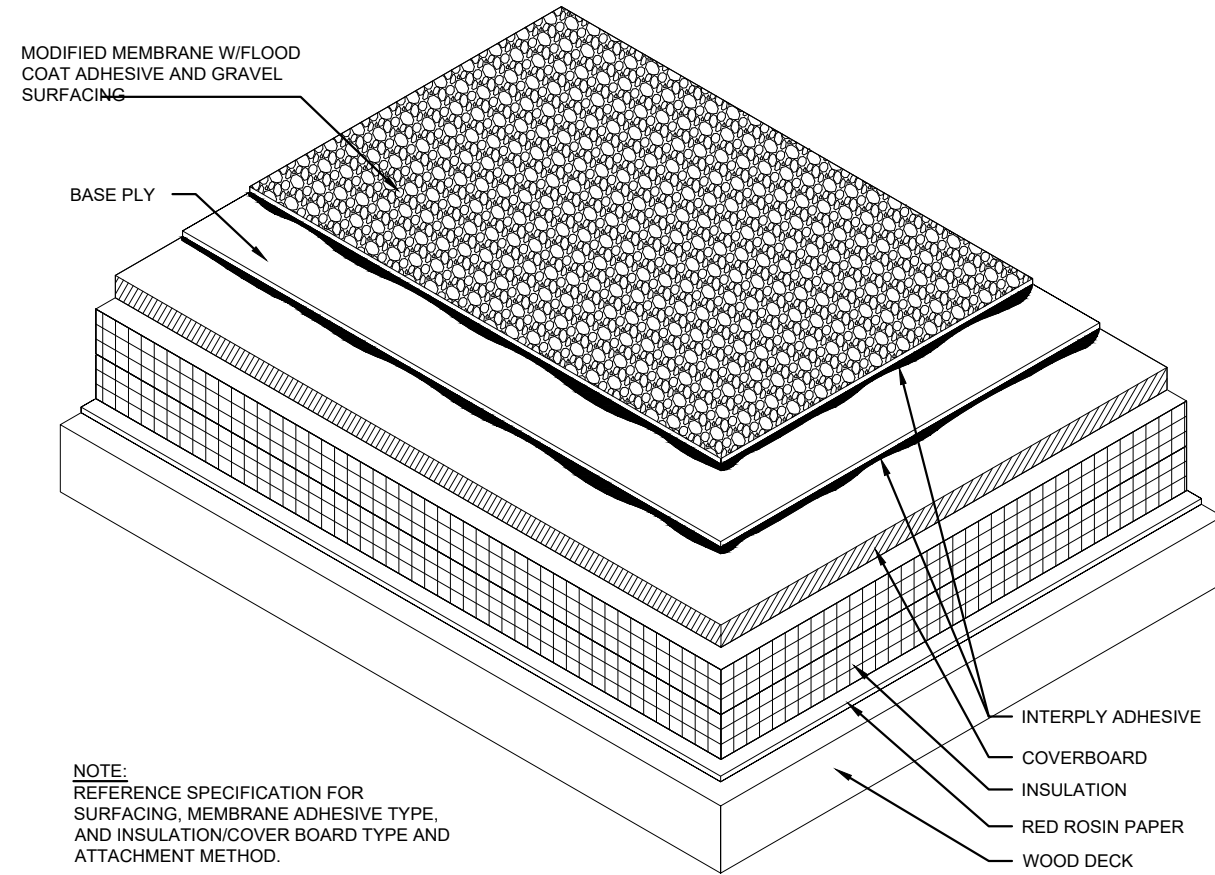
PROJ. #:

DRAWN BY:

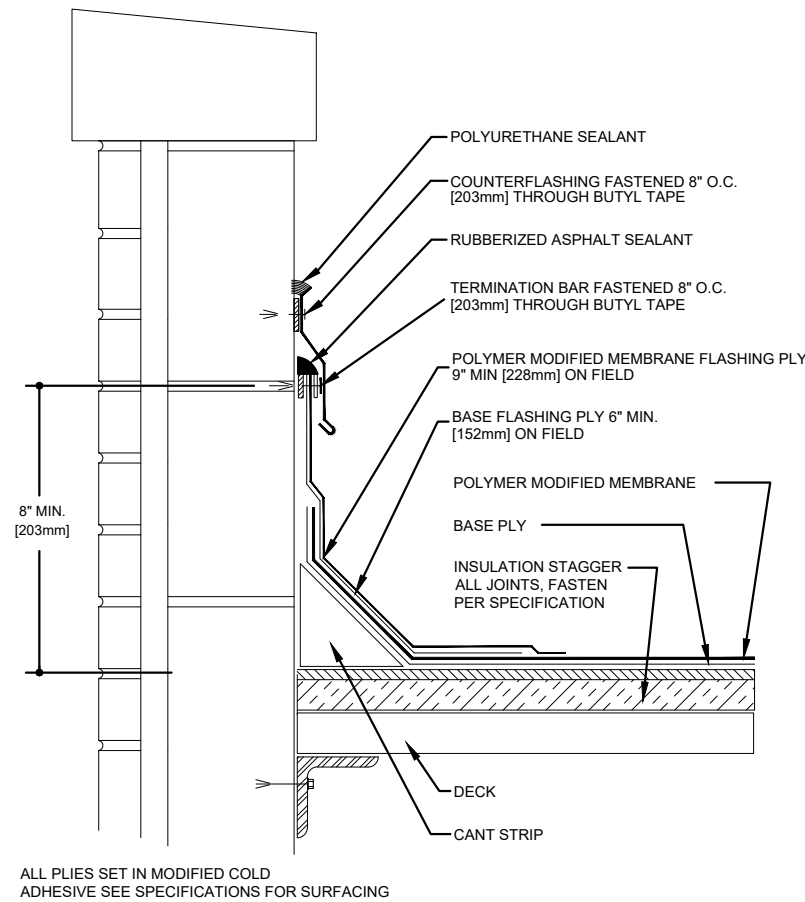
ROOF NOTES



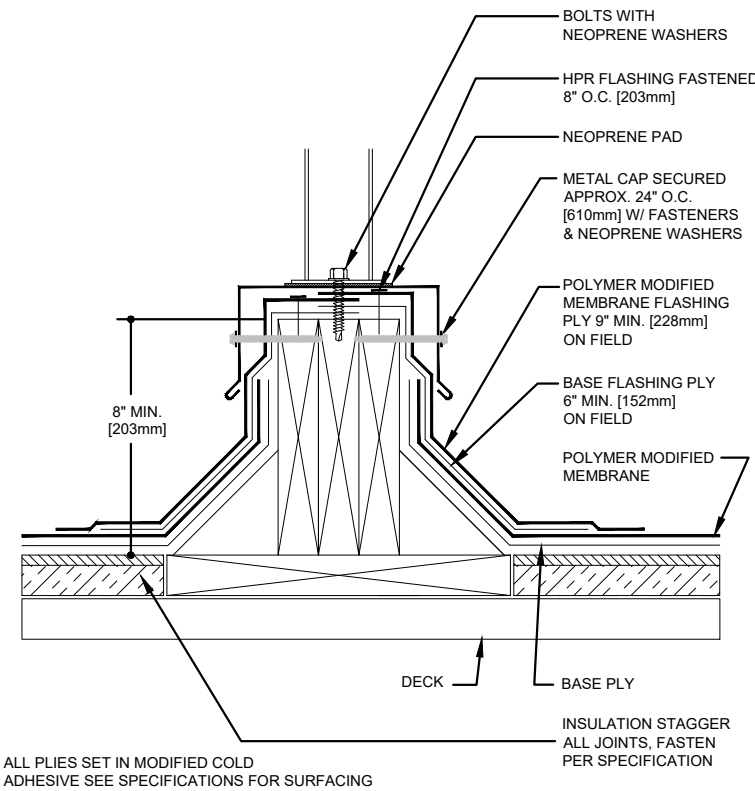
1 TYPICAL ROOF SECTION DETAIL
A-500 SCALE: N.T.S.



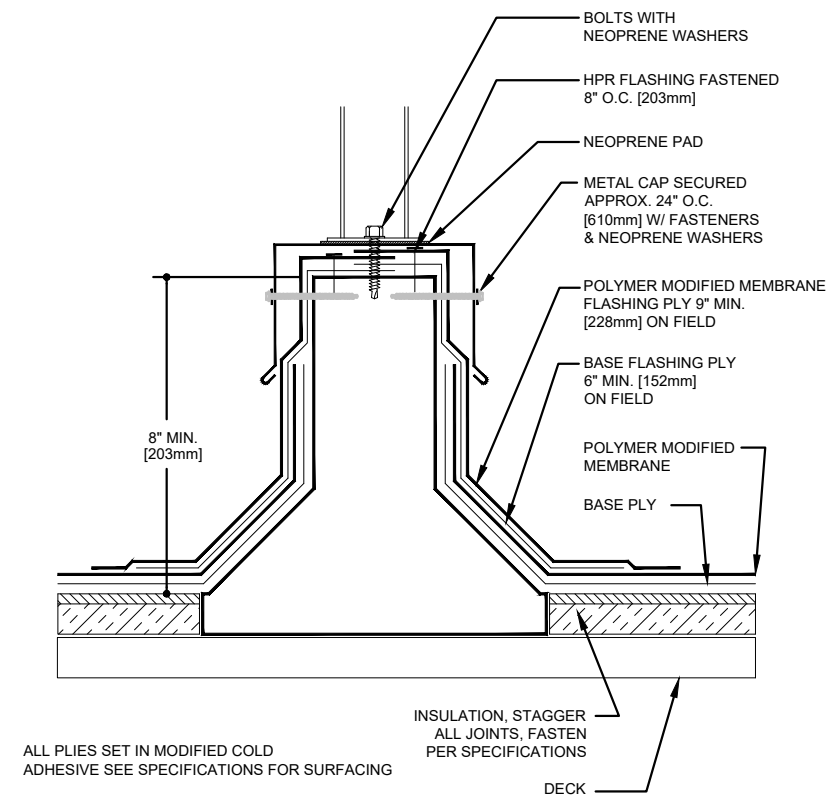
2 TYPICAL ROOF SECTION DETAIL
A-500 SCALE: N.T.S.



3 SURFACE MOUNTED COUNTERFLASHING DETAIL
A-500 SCALE: N.T.S.



4 EQUIPMENT SUPPORT DETAIL
A-500 SCALE: N.T.S.



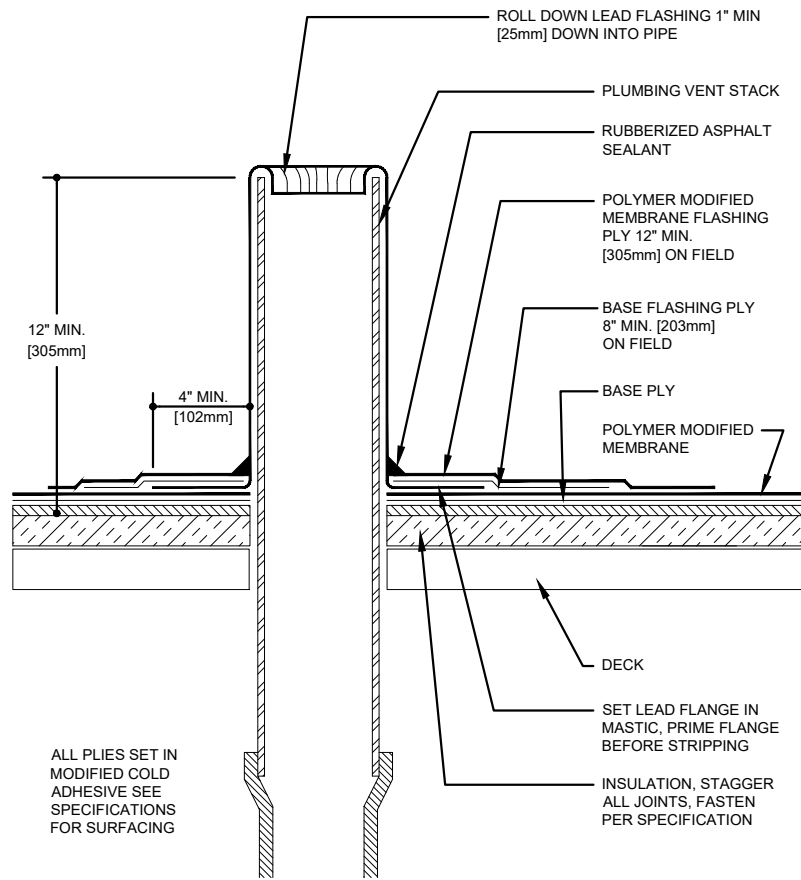
5 PREMANUFACTURED EQUIPMENT SUPPORT DETAIL
A-500 SCALE: N.T.S.

McKINLEY OUTREACH COMMUNITY CENTER
1200 Lost Nation Road
Willoughby, OH 44094

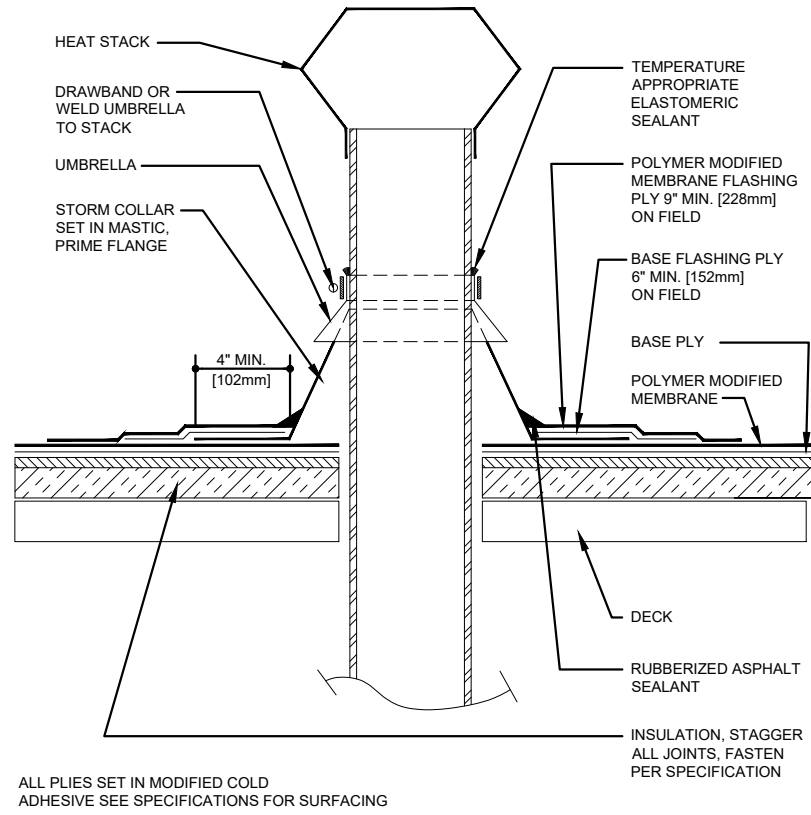
SCALE: AS NOTED
DATE: 05/10/2022
PROJ. #:
DRAWN BY:

ROOF DETAILS

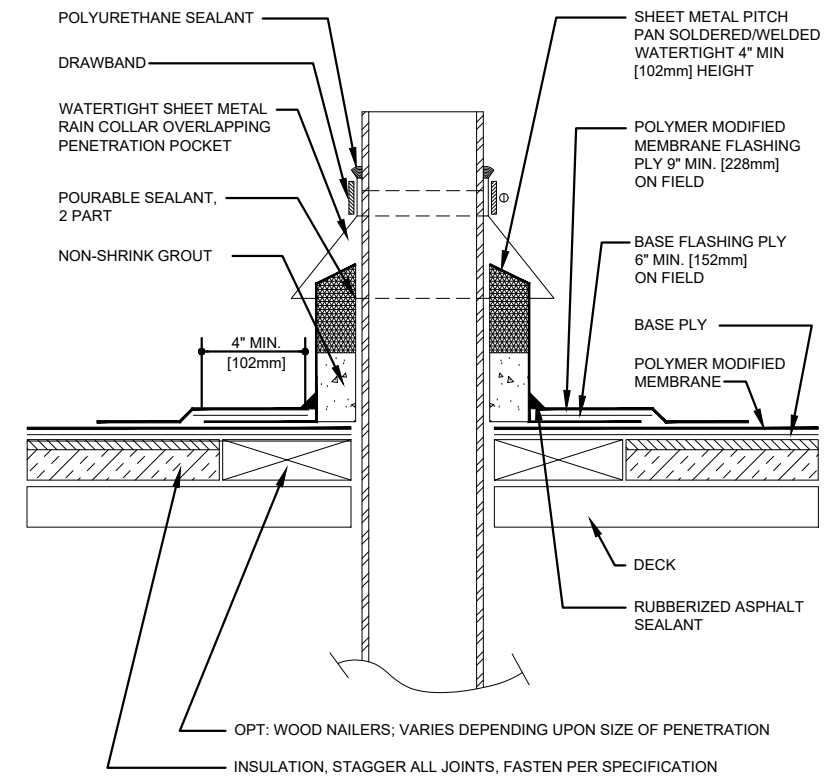
A-500



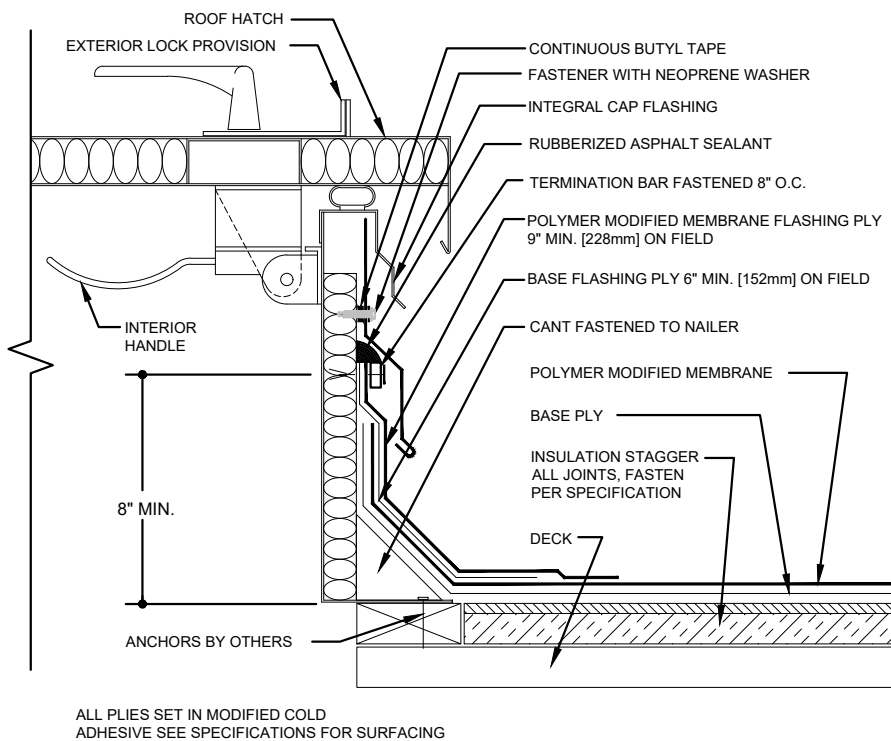
1 PLUMBING STACK DETAIL
 A-501 SCALE: N.T.S.



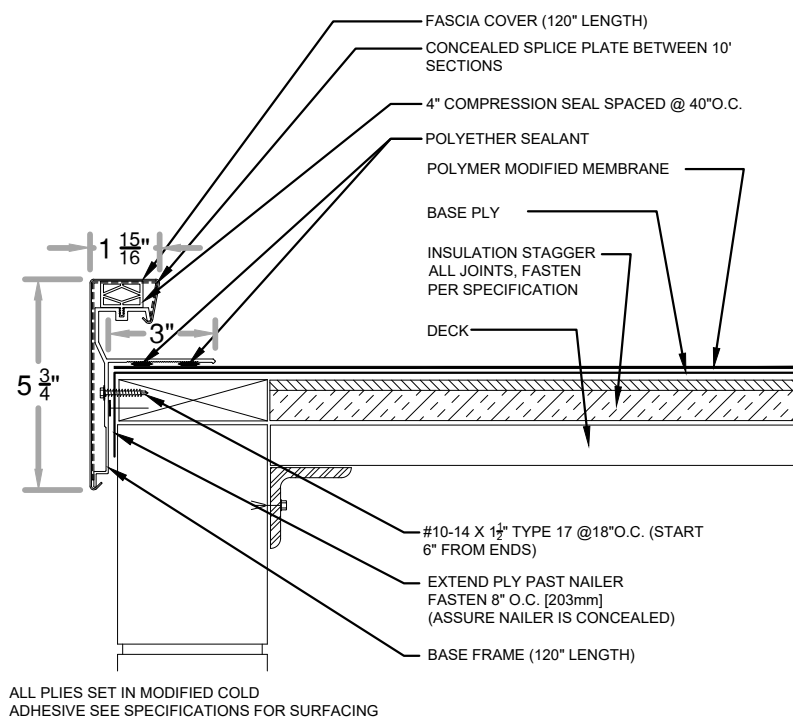
2 HEAT STACK DETAIL
 A-501 SCALE: N.T.S.



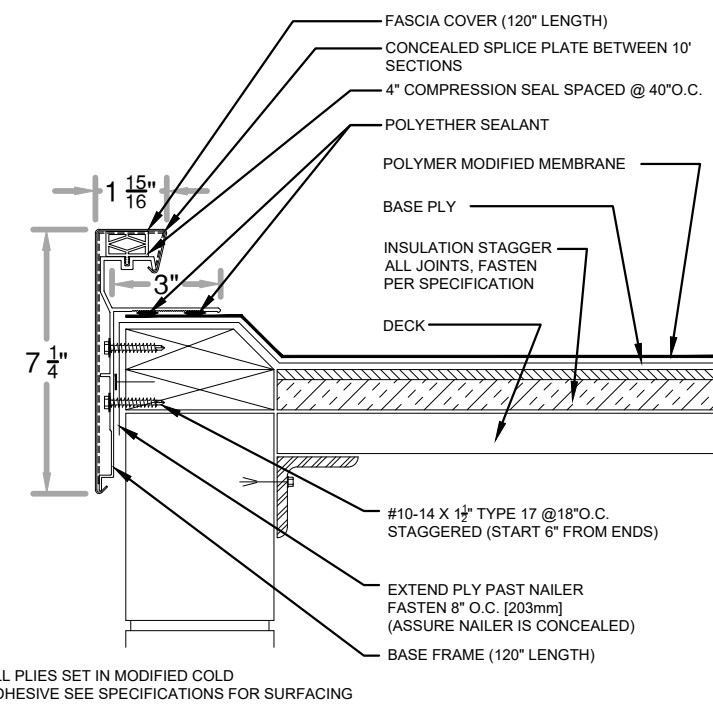
3 PITCH POCKET DETAIL
 A-501 SCALE: N.T.S.



4 ROOF HATCH DETAIL
 A-501 SCALE: N.T.S.



5 METAL EDGE FLASHLESS DETAIL
 A-501 SCALE: N.T.S.

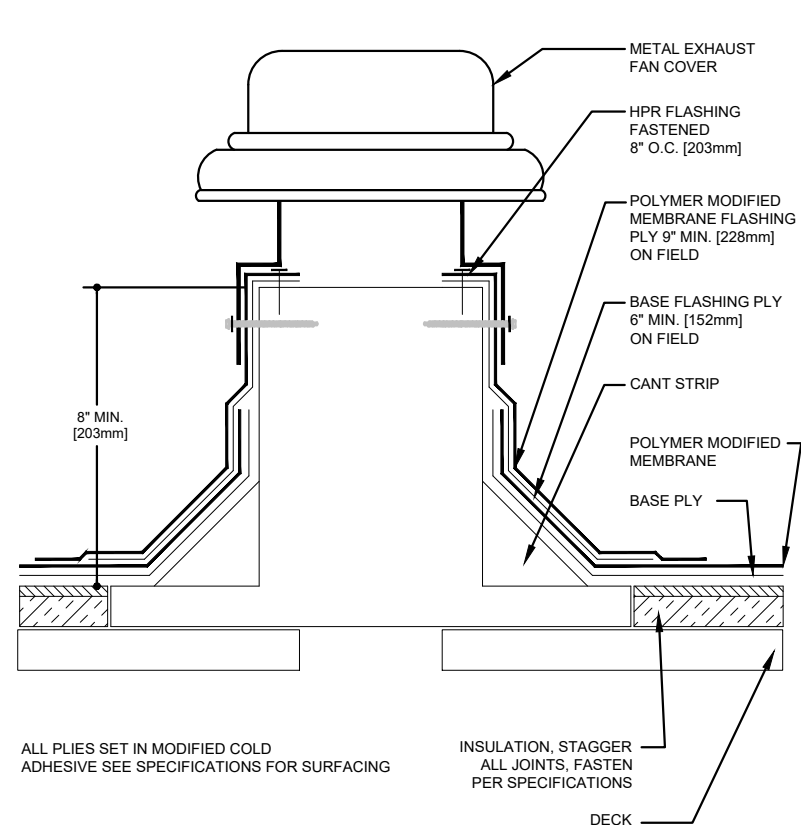


6 RAISED METAL EDGE FLASHLESS DETAIL
 A-501 SCALE: N.T.S.

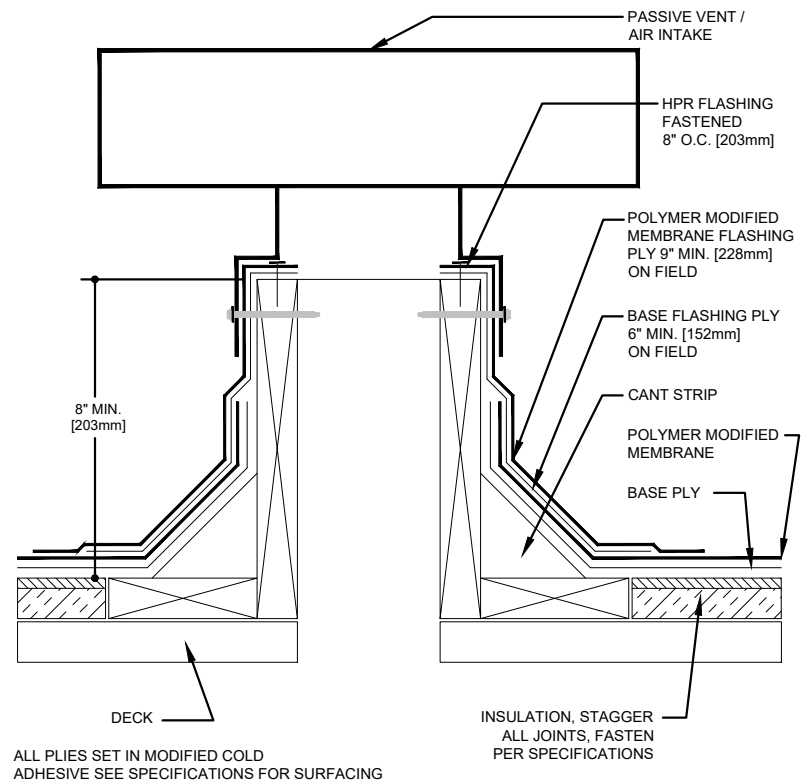
**McKINLEY
 OUTREACH
 COMMUNITY
 CENTER**
 1200 Lost Nation Road
 Willoughby, OH 44094

SCALE: AS NOTED
 DATE: 05/10/2022
 PROJ. #:
 DRAWN BY:

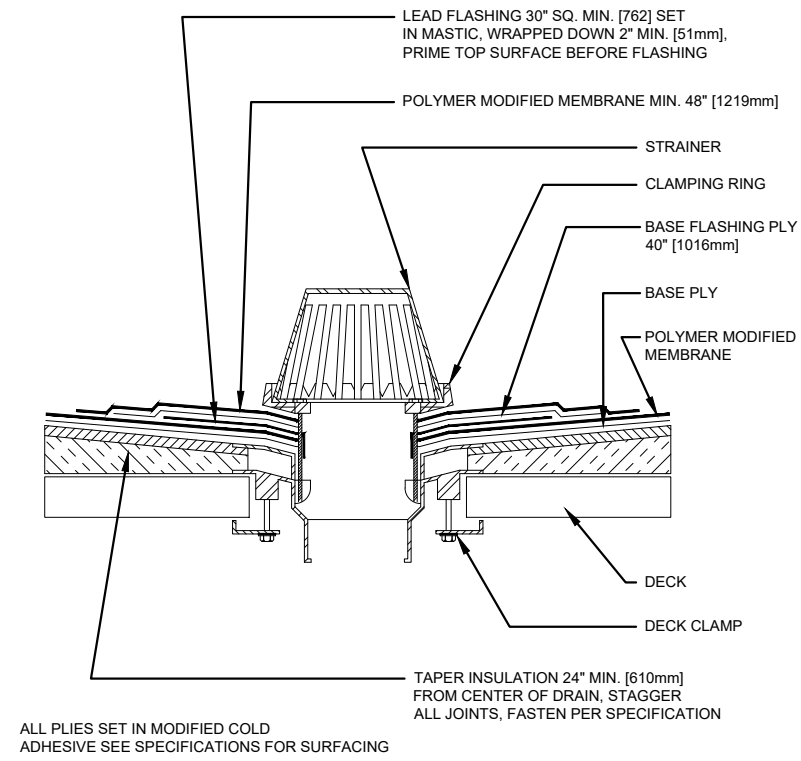
ROOF DETAILS



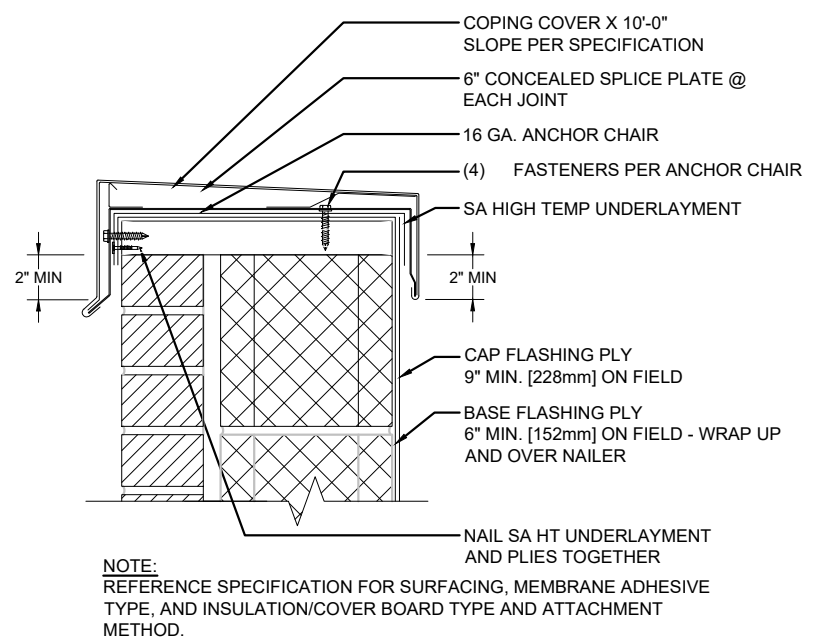
1 EXHAUST FAN DETAIL
A-502 SCALE: N.T.S.



2 PASSIVE VENT AIR INTAKE DETAIL
A-502 SCALE: N.T.S.



3 ROOF DRAIN DETAIL
A-502 SCALE: N.T.S.



4 COPING CAP DETAIL
A-502 SCALE: N.T.S.

**McKINLEY
OUTREACH
COMMUNITY
CENTER**
1200 Lost Nation Road
Willoughby, OH 44094

SCALE: AS NOTED
DATE: 05/10/2022
PROJ. #:
DRAWN BY:

ROOF DETAILS